



The New Cleco 19 Series

Unmatched Productivity. Uncompromising Comfort.

Cleco[®]

Accuracy. Durab

Built by your expertise and our experience

Your productivity is our greatest influence. The development of the Cleco 19 Series is driven by experts—you, the very people that have depended on Cleco assembly products for over a century.

Whatever your application, consider it done

We set out to design the most accurate, longest-lasting, most user-friendly screwdriver family on the market. Our widespread configurations and applications ensure that you will find the ideal screwdriver or nutrunner.



Designed for the most demanding jobs

Continuously improving end-product quality is evermore critical. The Cleco 19 Series is engineered for the most demanding fastening applications where accuracy, repeatability, and durability are held to the strictest standard. Imagine what the Cleco 19 Series can do for you.

Adding value to your business

With a new powertrain design, the Cleco 19 Series tools have reached a new milestone in performance and accuracy. This, combined with legendary Cleco reliability, means you will have the sustained power to get it right the first time, every time.

Designed with the operator in mind

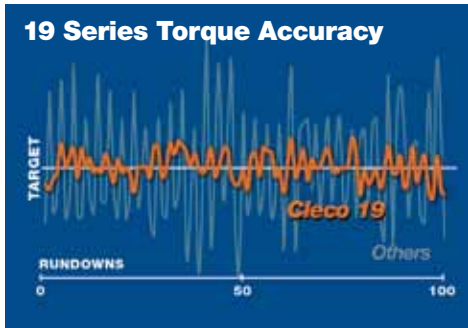
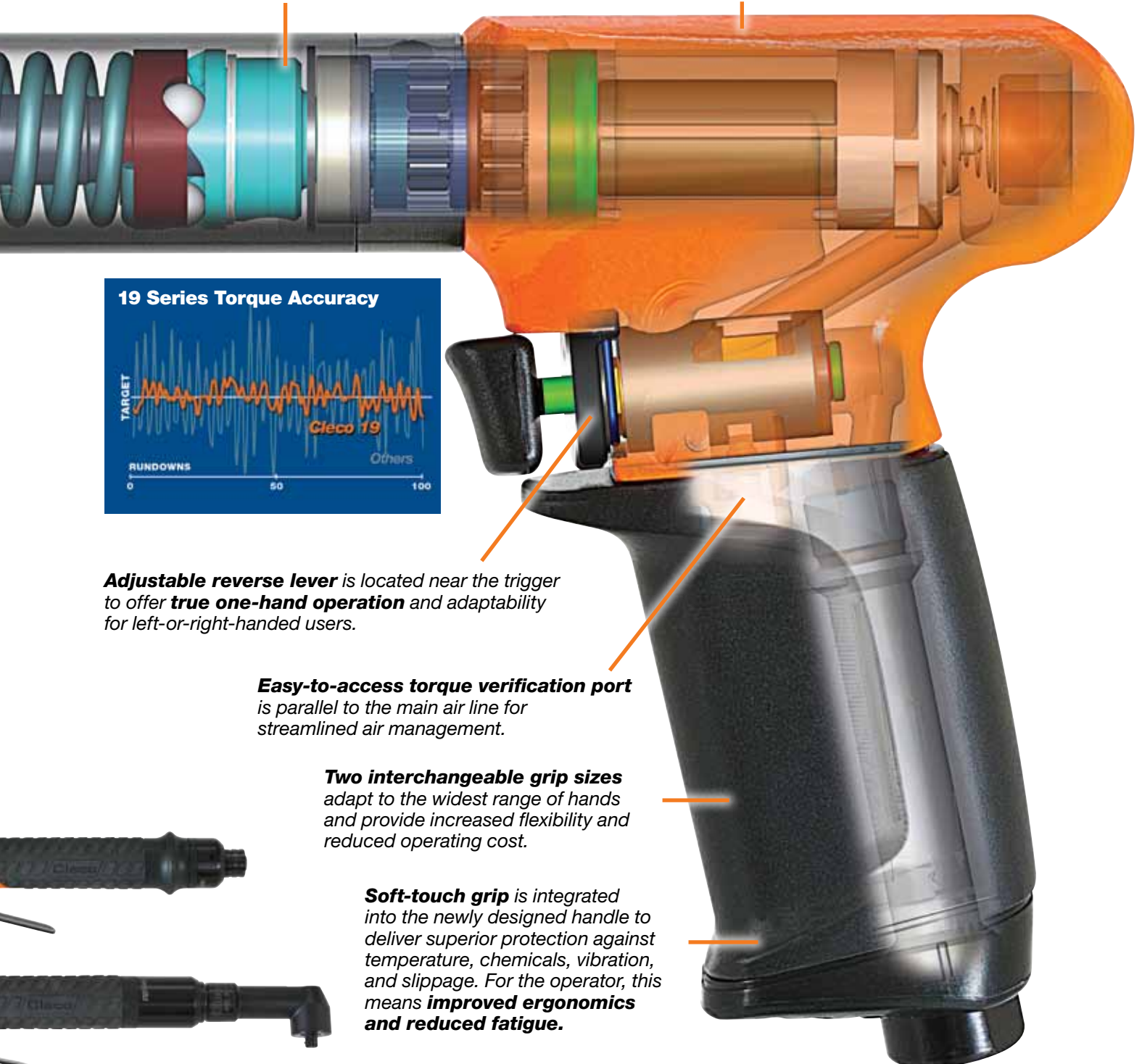
A soft-touch grip is integrated into the new handle design to provide superior protection from temperature, chemicals, vibration, and slip. What's more, Cleco 19 Series pistol tools offer two interchangeable handle sizes to bring comfort to a wider array of operators. These features, plus reduced weight and a balanced design, will raise productivity, tool flexibility, and reduce maintenance costs.



ility. Productivity.

Completely re-engineered **Clecomatic®** clutch delivers **best-in-class accuracy**, exceeding a Cm of 2.0 with a tolerance of $\pm 10\%$.

New design and advanced materials yield up to **19% weight reduction** based on configuration, at no loss of balance or durability.



Adjustable reverse lever is located near the trigger to offer **true one-hand operation** and adaptability for left-or-right-handed users.

Easy-to-access torque verification port is parallel to the main air line for streamlined air management.

Two interchangeable grip sizes adapt to the widest range of hands and provide increased flexibility and reduced operating cost.

Soft-touch grip is integrated into the newly designed handle to deliver superior protection against temperature, chemicals, vibration, and slippage. For the operator, this means **improved ergonomics and reduced fatigue**.



Cleco 19 Series Specifications

Model Number	Tool Range				With Std. Spring				Free Speed (rpm)	Length		Weight		Head Height		Side to Center	
	Max Tq		Min Tq		Max Tq		Min Tq			in	mm	lbs	kg	in	mm	in	mm
	in-lb	Nm	in-lb	Nm	in-lb	Nm	in-lb	Nm									
Right Angle Clecomatic Clutch																	
19RAA02AM2	19	2.1	5	0.6	19	2.1	5	0.6	2400	11.9	303	1.7	0.8	1.06	27	0.36	9
19RAA02AH2	21	2.4	6	0.7	21	2.4	6	0.7	2100	12.5	316	1.8	0.8	1.19	30	0.50	13
19RAA02AH3	21	2.4	6	0.7	21	2.4	6	0.7	2100	12.5	316	1.8	0.8	1.19	30	0.50	13
19RAA03AM2	27	3.1	5	0.6	21	2.4	5	0.6	1650	12.2	310	1.8	0.8	1.06	27	0.36	9
19RAA03AH2	30	3.4	6	0.7	24	2.7	6	0.7	1450	12.7	321	1.9	0.9	1.19	30	0.50	13
19RAA03AH3	30	3.4	6	0.7	24	2.7	6	0.7	1450	12.7	321	1.9	0.9	1.19	30	0.50	13
19RAA04AM2	42	4.7	12	1.4	42	4.7	12	1.4	950	12.0	305	1.7	0.8	1.06	27	0.36	9
19RAA05AM2	50	5.7	12	1.4	42	4.7	12	1.4	570	12.4	316	1.8	0.8	1.06	27	0.36	9
19RAA06AH2*	53	6.0	13	1.5	48	5.4	13	1.5	850	12.5	316	1.8	0.8	1.19	30	0.50	13
19RAA06AH3	53	6.0	13	1.5	48	5.4	13	1.5	850	12.5	316	1.8	0.8	1.19	30	0.50	13
19RAA07AH2*	60	6.8	13	1.5	48	5.4	13	1.5	500	12.9	326	1.9	0.9	1.19	30	0.50	13
19RAA07AH3	60	6.8	13	1.5	48	5.4	13	1.5	500	12.9	326	1.9	0.9	1.19	30	0.50	13
19RAA09AH2*	75	8.5	18	2.0	75	8.5	30	3.4	500	12.9	326	1.9	0.9	1.19	30	0.50	13
19RAA09AH3	75	8.5	18	2.0	75	8.5	30	3.4	500	12.9	326	1.9	0.9	1.19	30	0.50	13
19RAA11AH2*	100	11.3	18	2.0	100	11.3	30	3.4	340	12.3	312	2.1	1.0	1.19	30	0.50	13
19RAA11AH3	100	11.3	18	2.0	100	11.3	30	3.4	340	12.3	312	2.1	1.0	1.19	30	0.50	13
19RAA12AH2*	100	11.3	18	2.0	100	11.3	30	3.4	200	12.9	326	1.9	0.9	1.19	30	0.50	13
19RAA12AH3	100	11.3	18	2.0	100	11.3	30	3.4	200	12.9	326	1.9	0.9	1.19	30	0.50	13

* AH2 Angle Head Max Rated Torque 50 in-lbs

Model Number	@ 90 PSIG			Length		Weight		Head Height		Side to Center	
	Max Tq		Free Speed	in	mm	lbs	kg	in	mm	in	mm
in-lb	Nm										
Right Angle Stall											
19RAS03AM2	28	3.2	1700	11.4	290	1.3	0.6	1.06	27	0.36	9
19RAS04AH2	32	3.6	1500	11.2	284	1.4	0.6	1.19	30	0.5	13
19RAS05AM2	46	5.2	850	10.6	269	1.2	0.5	1.06	27	0.36	9
19RAS06AH3	55	6.2	880	11.0	279	1.3	0.6	1.19	30	0.5	13

Model Number		Tool Range				With Std. Spring				Free Speed (rpm)	Length*		Weight	
Quick Change	Bit & Finder*	Max Tq		Min Tq		Max Tq		Min Tq			in	mm	lbs	kg
		in-lb	Nm	in-lb	Nm	in-lb	Nm	in-lb	Nm					
Inline Push-to-Start														
19SPA02Q	19SPA02B	19	2.1	5	0.6	19	2.1	5	0.6	2800	9.1	230	1.4	0.6
19SPA03Q	19SPA03B	26	2.9	5	0.6	19	2.1	5	0.6	1900	9.3	235	1.4	0.6
19SPA04Q	19SPA04B	40	4.5	10	1.1	38	4.3	10	1.1	1100	9.1	230	1.3	0.6
19SPA05Q	19SPA05B	45	5.1	10	1.1	38	4.3	10	1.1	660	9.5	240	1.5	0.7
19SPA06Q	19SPA06B	45	5.1	10	1.1	38	4.3	10	1.1	260	9.5	240	1.5	0.7
Inline Lever Push-to-Start														
19SCA02Q	19SCA02B	19	2.1	5	0.6	19	2.1	5	0.6	2800	9.8	249	1.5	0.7
19SCA03Q	19SCA03B	26	2.9	5	0.6	19	2.1	5	0.6	1900	10.0	254	1.5	0.7
19SCA04Q	19SCA04B	40	4.5	10	1.1	38	4.3	10	1.1	1100	9.8	249	1.5	0.7
19SCA05Q	19SCA05B	45	5.1	10	1.1	38	4.3	10	1.1	660	10.2	259	1.6	0.7
19SCA06Q	19SCA06B	45	5.1	10	1.1	38	4.3	10	1.1	260	10.2	259	1.6	0.7

*Add .63" (16mm) for bit & finder models

Model Number		Tool Range				With Std. Spring				Free Speed (rpm)	19P				19T			
19P Series	19T Series	Max Tq		Min Tq		Max Tq		Min Tq			Length		Weight		Length		Weight	
		in-lb	Nm	in-lb	Nm	in-lb	Nm	in-lb	Nm	in	mm	lbs	kg	in	mm	lbs	kg	
Pistol Trigger Allow Push-to-Start Clecomatic Clutch																		
19PCA02Q	19TCA02Q	19	2.1	5	0.6	19	2.1	5	0.6	2800	8.1	206	1.41	0.6	8.0	202	1.44	0.7
19PCA03Q	19TCA03Q	26	2.9	5	0.6	19	2.1	5	0.6	1900	8.3	211	1.51	0.7	8.2	207	1.54	0.7
19PCA04Q	19TCA04Q	40	4.5	10	1.1	38	4.3	10	1.1	1100	8.1	206	1.41	0.6	8.0	202	1.54	0.7
19PCA05Q	19TCA05Q	45	5.1	10	1.1	38	4.3	10	1.1	660	8.5	216	1.51	0.7	8.4	212	1.54	0.7
19PCA06Q	19TCA06Q	45	5.1	10	1.1	38	4.3	10	1.1	260	8.5	216	1.51	0.7	8.4	212	1.54	0.7
19PCA07Q	19TCA07Q	60	6.8	15	1.7	60	6.8	24	2.7	660	8.5	216	1.51	0.7	8.4	212	1.54	0.7
19PCA09Q	19TCA09Q	79	8.9	15	1.7	79	8.9	24	2.7	470	9.8	248	1.65	0.7	9.3	235	1.73	0.8
Pistol Trigger Start Clecomatic Clutch																		
19PTA02Q	19TTA02Q	19	2.1	5	0.6	19	2.1	5	0.6	2800	8.0	204	1.41	0.6	7.9	199	1.44	0.7
19PTA03Q	19TTA03Q	26	2.9	5	0.6	19	2.1	5	0.6	1900	8.2	209	1.51	0.7	8.1	204	1.54	0.7
19PTA04Q	19TTA04Q	40	4.5	10	1.1	38	4.3	10	1.1	1100	8.0	204	1.41	0.6	7.9	199	1.54	0.7
19PTA05Q	19TTA05Q	45	5.1	10	1.1	38	4.3	10	1.1	660	8.4	214	1.51	0.7	8.3	210	1.54	0.7
19PTA06Q	19TTA06Q	45	5.1	10	1.1	38	4.3	10	1.1	260	8.4	214	1.51	0.7	8.3	210	1.54	0.7
19PTA07Q	19TTA07Q	60	6.8	15	1.7	60	6.8	24	2.7	660	8.4	214	1.51	0.7	8.3	210	1.54	0.7
19PTA09Q	19TTA09Q	79	8.9	15	1.7	79	8.9	24	2.7	470	9.8	248	1.65	0.7	9.3	235	1.73	0.8
19PTA15Q	19TTA15Q	130	14.7	45	5.1	130	14.7	45	5.1	260	9.7	247	1.91	0.9	9.6	243	1.94	0.9
Pistol Trigger Start Stall																		
19PTS02Q	19TTS02Q	19	2.1							2800	5.9	150	1.16	0.5	5.8	146	1.19	0.5
19PTS03Q	19TTS03Q	26	2.9							1900	6.1	155	1.16	0.5	6.1	154	1.19	0.5
19PTS04Q	19TTS04Q	40	4.5							1100	5.9	150	1.16	0.5	5.8	146	1.19	0.5

)\"# \-j y@U-VuQ)
U \ Oo † #

